



ATE

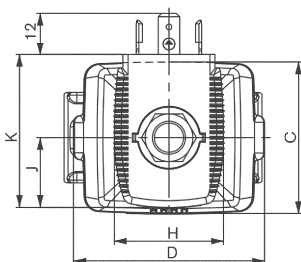
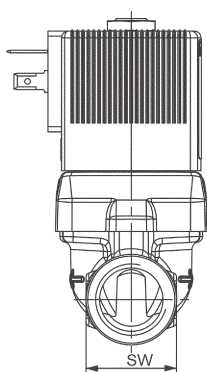
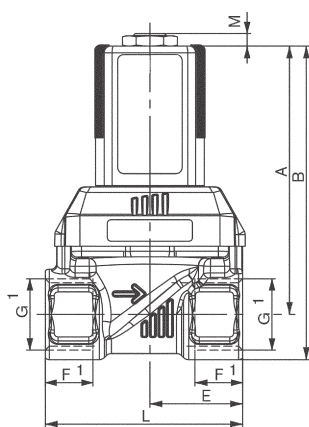
## ATE series

DN 10–40

This range of high-quality solenoid valves is not dependent on a specific minimum differential pressure; the valves operate extremely reliably with no pressure, at slight differential pressure, right through to maximum pressure. They are therefore the valves of choice for installation in plants where differential pressures fluctuate greatly and are not possible to determine precisely in advance. The ATE valve series **may only be used**

**for media free from oil and grease**, such as drinking water, hot water or alkaline detergents and bleaches. Solenoid valves of the ATE series are VDE-approved according to EN 60730 as **electrically operated water valves up to 50°C**. Furthermore, the **EPDM** sealing material satisfies the **"KTW" (plastics in drinking water) recommendations of the German Department of Health**.

### Dimensioned drawings (mm)



### Technical data

#### Type

2/2-way

#### Operating mode

normally closed

#### Type of construction

Diaphragm solenoid valve, coupled. No initial pressure needed.

#### Pressure range

0 – 10 bar

Back-pressure may occur as the valve will open in an uncontrolled manner.

#### Materials

Casing: brass, internal parts: stainless steel

#### Sealing material

EPDM

#### Mounting position

Any, solenoid system preferably upright

#### Temperature of medium

0°C to +90°C

#### Max. ambient temperature

55°C

#### Duty cycle

100% ED

#### Electrical connection

Device socket to DIN EN175301 form A

#### Operating voltage

230 V, 50 Hz

#### Protection class

IP 65 according to DIN EN60529 with device socket

#### Power consumption in VA or W

Switching state	Nominal diameter/DN					
	10	13	20	25	40	mm
AC: Start	34	36	38	150	190	VA
AC: Oper.	14	14	14	37	37	VA

### Product Summary

Type	DN (mm)	pressure range (bar)	kvs-value (m³/h)	Connecting thread	Weight (kg)
ATE10	10	0–10	1.8	G 3/8"	0.4
ATE13	13	0–10	3.5	G 1/2"	0.55
ATE20	20	0–10	8.6	G 3/4"	1.0
ATE25	25	0–10	11.0	G 1"	1.7
ATE32	25	0–10	11.0	G 1 1/4"	1.7
ATE40	40	0–10	30.0	G 1 1/2"	3.5
ATE50	40	0–10	30.0	G 2"	3.5

### Device plug with LED display

#### Type

ST221

for 200 V – 240 V AC/DC

Type	DN	G1	A	B	C	D	E	F1	H	J	K	L	SW	M
ATE10	10	G3/8"	67.4	78.4	36	46	22	12	32	20.5	45	50	22	3.7
ATE13	13	G1/2"	78.9	92.4	44.5	56	27.5	14	32	20.5	45	58	27	3.7
ATE20	20	G3/4"	93.4	109.4	65	76	37	16	32	20.5	45	80	32	3.7
ATE25	25	G1"	136.3	156.8	77	88	46	18	65	37.5	72	95	41	7
ATE32	25	G1 1/4"	141.3	166.3	77	88	46	20	65	37.5	72	95	50	7
ATE40	40	G1 1/2"	152.3	182.3	104.5	117	61	22	65	37.5	72	126	60	7
ATE50	40	G2"	158.3	193.3	104.5	117	64	24	65	37.5	72	132	70	7